

Ram Air Turbine Test Equipment

**Embraer ERJ-170 to ERJ-195, ACAC ARJ21,
Mitsubishi MRJ, Sukhoi Superjet 100**

OEM approved and airline trusted

Standard Features:

Model: 13-6604-6600

Reference: AGE-13604

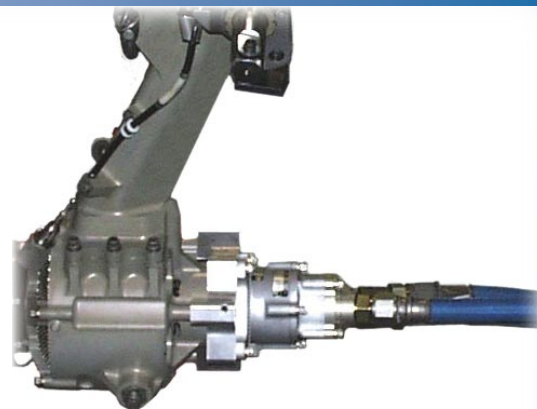
Ground Test Motor Tool powered by a suitable hydraulic cart, is used to back drive the RAT during ground checkout.

Includes hydraulic cart (GSE) mating coupling halves

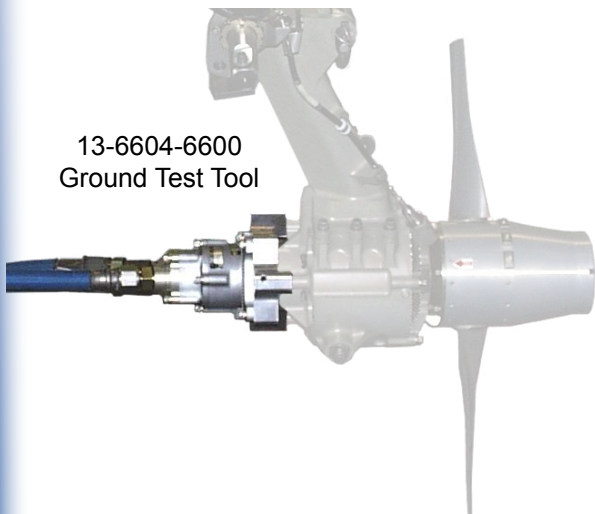
Model: 13-6605-6000

Reference: AGE-13603

Actuator Adjustment Tool is for adjustment of the RAT actuator arm



13-6604-6600
Ground Test Tool



13-6605-6600

Airbus A380, Boeing 787, CASA A400M

OEM approved and airline trusted

Standard Features:

Model: 13-6606-6600 (A380 Ground Test Tool)

Reference: AGE-13696 or AGE-13697

Model: 13-6609-6600 (787 Ground Test Tool)

Reference: AGE-14524

Model: 13-6610-6600 (A400M Ground Test Tool)

Reference: AGE-14940

- The hydraulic motor provides power and speed capabilities consistent with the requirements of the ground checkout procedures
- 5,000 psi (345 bar) maximum pressure
- 1 in (25.4 mm) x 20 ft (6.1 m) long pressure supply hose
- 1.5 in (38.1 mm) x 20 ft (6.1 m) long return hose
- Heavy duty case for easy shipping and storage

13-6606-6600
Ground Test Tool



Airbus RAT

OEM approved and airline trusted

Standard Features:

Models: AGE10600C

(A318, A319, A320, A321, A330, A340 serial number 1047 and later)

Reference: AGE10600C Ground Test Tool (motor, hose, coupling assembly)

13-6600-3600

(A318, A319, A320, A321, A330, A340 serial number 1047 and later)

Replaces: AGE-11212 Ground Test Tool (suitcase)

89415Z Flow Control Test Unit (tub)

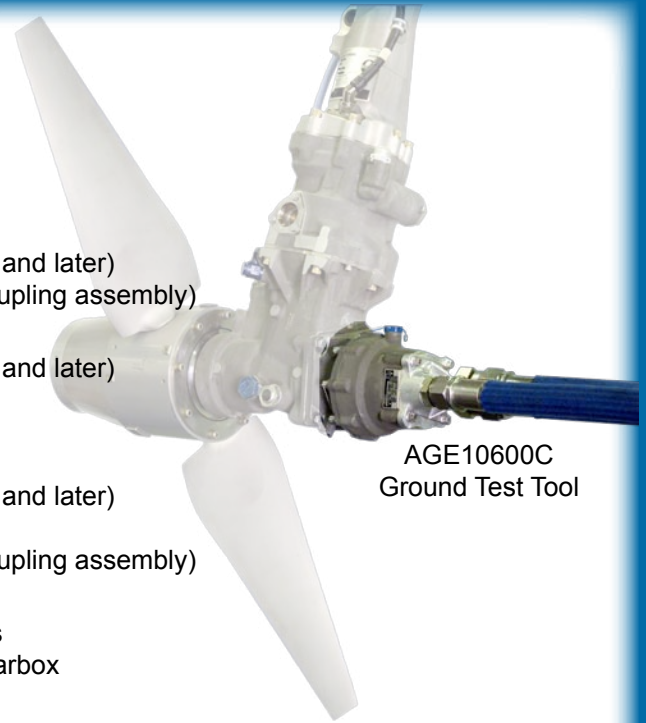
13-6601-3600

(A318, A319, A320, A321, A330, A340 serial number 1047 and later)

Reference: AGE-11212 Ground Test Tool (suitcase)

AGE10600C Ground Test Tool (motor, hose, coupling assembly)

89415Z Flow Control Test Unit (tub)



AGE10600C
Ground Test Tool

- Tested and certified by Hamilton Sundstrand and Airbus Industries
- Ground test motor (AGE10600C) attaches easily to RAT lower gearbox using provided fasteners
- Powered from aircraft electrical system; no batteries or external power source
- Ground Test Tool hydraulic motor provides exact torque curve required to properly test RAT performance
- 20 ft. (6 m) hose lengths provide flexibility in positioning hydraulic power cart at aircraft
- Recessed, side mounted quick disconnects for easy external connection of hydraulic hoses allowing all cabinet doors to remain closed during testing
- Easy-to-read digital data displays for RAT speed, pressure and flow
- Both front and rear cabinet doors open fully for easy access to store cables, manuals, tools and RAT test motor
- Front panel clipboard rest for recording test procedure and holding data sheets
- Ergonomic controls and instrumentation
- Mounted on casters with side handles for ease of moving from storage to aircraft
- Forklift access lifting tubes
- Floor lock for securing cart in position at aircraft
- All gauges calibrated to required standard
- Tie down lugs provided
- Finish: Durable Powder Coat Tronair Blue



13-6600-3600

Specifications:

Model	Length in (cm)	Width in (cm)	Height in (cm)	Weight lb (kg)
13-6600-3600.....	48 (122)	23 (58)	57 (145)	600 (272)

www.tronair.com

Tronair • Email: sales@tronair.com • Phone: 419-866-6301 or 800-426-6301 • Fax: 419-867-0634

Asia Sales Offices: **China** - Email: tronairchina@tronair.com • Phone: 86-592-5560735 • Fax: 86-592-5563132

Asia/Australia - Email: tronairasia@tronair.com • Phone: 66-2665-6511 • Fax: 66-2204-1858

Europe, Middle East & Africa Sales Office • Email: saleseurope@tronair.com • Phone: 44-0-113-245-3300 • Fax: 44-0-113-322-0436

TR021210