



# **PHOENIX**

## **METAL PRODUCTS, INC.**



The Phoenix MBL is a mobile baggage loader. It is designed for the rugged nature of airport ramp operation. The chassis is a heavy duty formed chassis. The conveyor bed is also designed to withstand the rough airport environment.

The drive line consists of a heavy duty front and rear axles and can be outfitted with different engines.

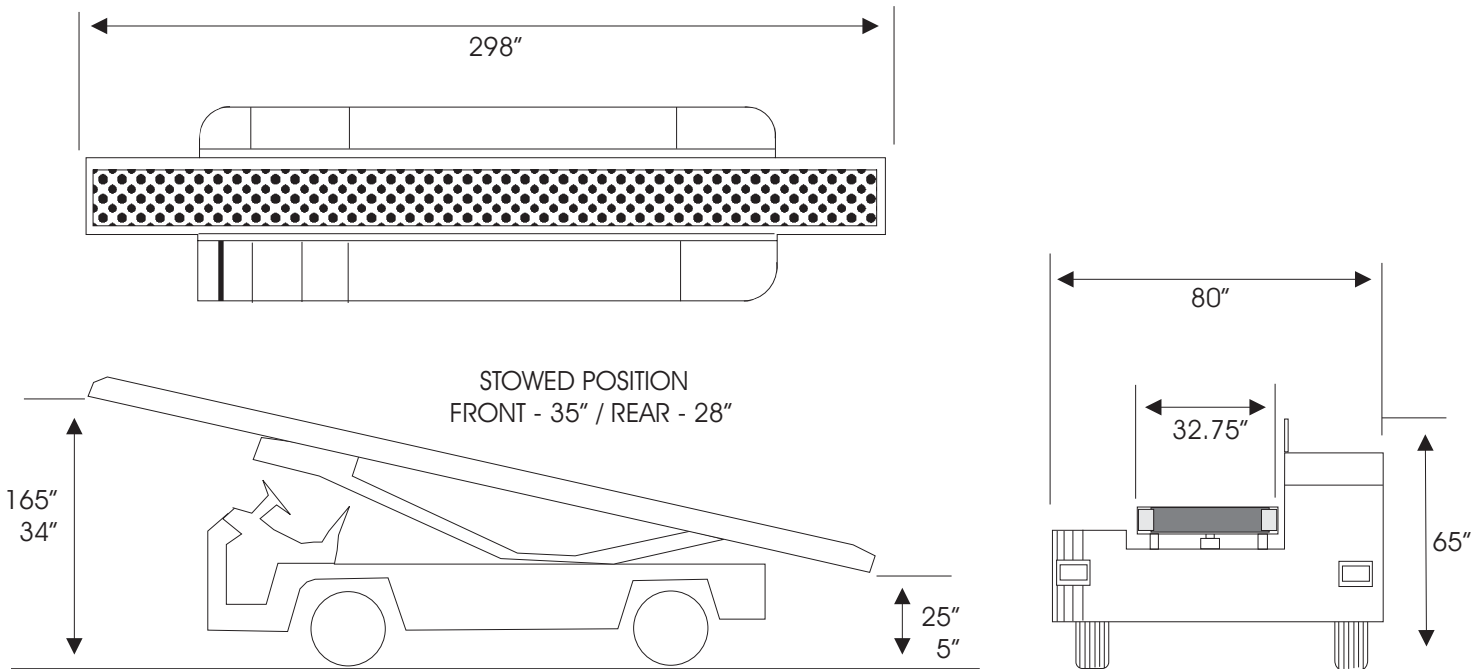
The conveyor has controls on both ends and the front controls are recessed. Emergency stops are on all four corners. The electric belt controls are interlocked with the transmission and hand brake.

The hydraulic system and electrical control components are in the same vicinity which makes troubleshooting and repair easier.

Emergency pump, instrument gauges and non-skid decking are standard.

# PHOENIX MBL

# MOBILE BELT LOADER



## SPECIFICATIONS

### CHASSIS:

HEAVY DUTY SHEET METAL WITH 3/8 STEEL  
PLATE FRONT AND REAR

### SUSPENSION:

SOLID MOUNT FRONT AND REAR

### STEERING:

HYDROSTATIC- ORBITROL/ CYLINDER

### AXLES:

DRIVE AXLE - DANA 60 LIMITED SLIP - 7.17:1 RATIO  
STEER AXLE - DANA 60

### BRAKES:

DUAL SPLIT SYSTEM - HYDRAULIC ASSIST  
FRONT DISC - REAR DRUM

### ELECTRICAL SYSTEM:

12 VOLT - NEGATIVE GROUND  
60 AMP ALTERNATOR

### HYDRAULIC SYSTEM:

ENGINE DRIVEN - POSITIVE DISPLACEMENT  
EMERGENCY PUMP

### TRANSMISSION:

FORD INDUSTRIAL C6  
DIESEL - 3 SPEED  
GAS - 2 SPEED

### ENGINE:

DEUTZ DIESEL - F4M2011 3.1L 4 CYL OIL COOLED  
CUMMINS - B3.3 3.3L 4CYL  
PERKINS 1104C.44 L4 4.4L  
ISUZU - 4LE1 2.2L 4 CYL

### FEATURES:

STAINLESS STEEL HYDRAULIC AND FUEL TANK  
ELECTRIC BELT CONTROLS  
E STOPS (5) FOUR CORNERS OF BED - 1 CAB  
HANDBRAKE/ NEUTRAL SAFETY  
RUB RAILS  
ROUNDED CHASSIS CORNERS  
INSTRUMENT GAUGES  
FUEL LEVEL GAUGE IN CAB  
ELECTRICAL SYSTEM - COMPONENTS IN ONE  
LOCATION  
ROTO CAST SEAT - ADJUSTABLE WITH BACK SUPPORT  
REAR WORK LIGHT  
D BUMPERS ON FRONT OF BED  
REPLACEABLE CHASSIS SIDE PANELS  
HANDRAIL AND PACKAGE GUIDE ON BED  
TURN SIGNALS

### SHIPPING DIMENSIONS:

LENGTH 309"  
WIDTH 80"  
HEIGHT 63"  
WEIGHT 7300 LBS